



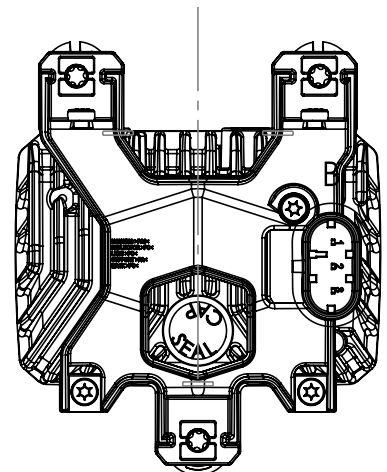
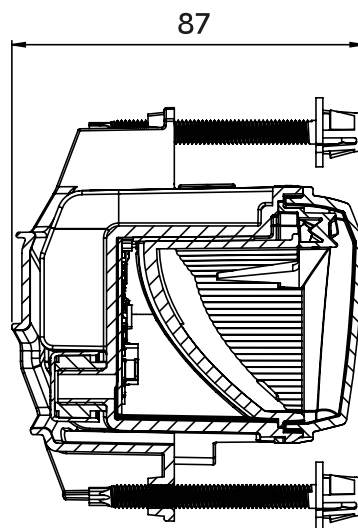
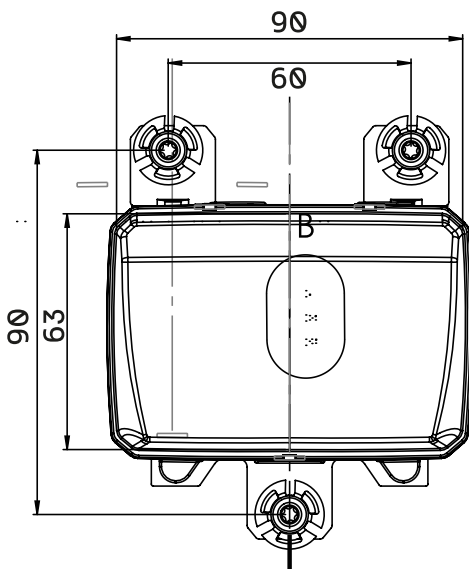
**Bi-LED
rectangular
headlight**



Bi-LED rectangular headlight

made in RFT technology

Catalog number:	OE1182004035
Functions:	Low and high beam
Source of light:	LED
Dimensions:	90x63 mm
Material:	PC/PA
Connection:	Superseal 3 pin
Voltage:	9-32 V
Assembly:	Screws
IP Rating:	IP6K9K
Approvals:	ECE R112, R10, CISPR25



Technical data